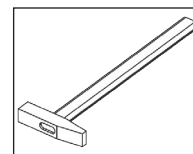
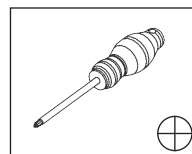
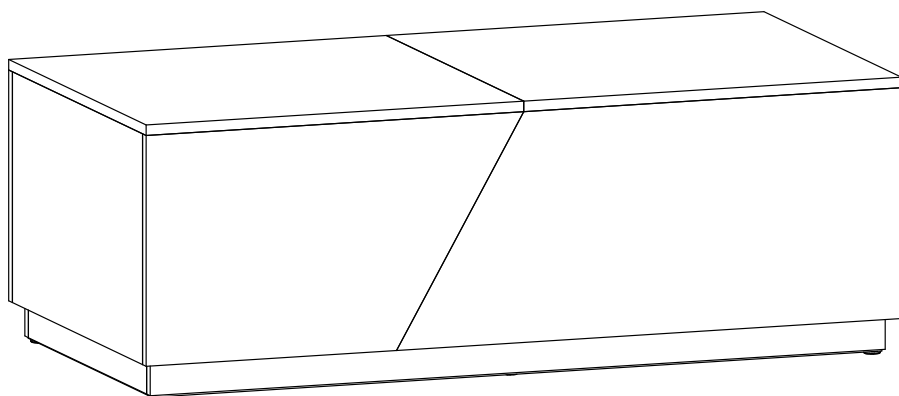


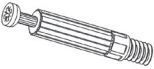


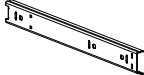



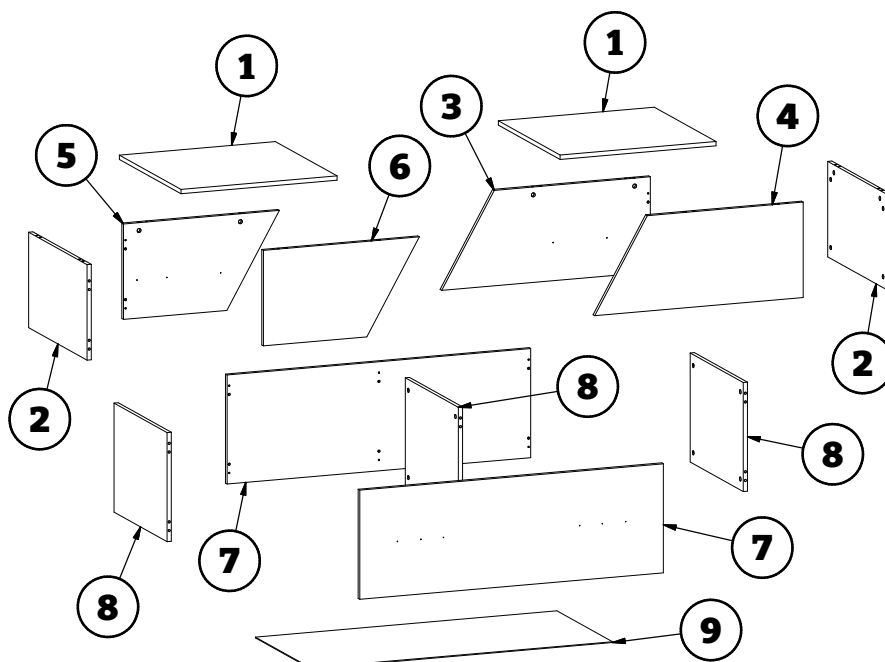


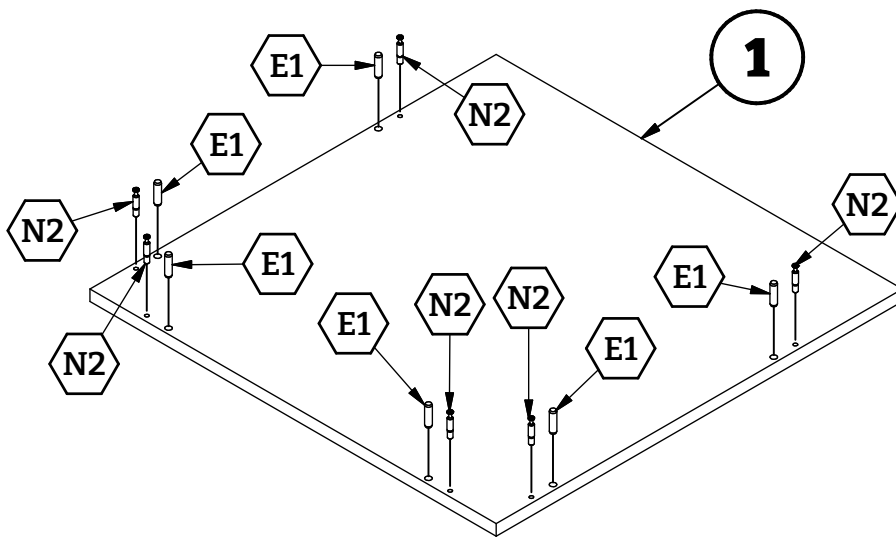
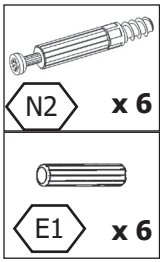
# RTV 120x60x40



<p><b>S1</b></p>  <p><b>24x</b></p>	<p><b>E1</b></p>  <p><b>32x</b></p>	<p><b>N2</b></p>  <p><b>32x</b></p>	<p><b>M3</b></p>  <p><b>32x</b></p>
<p><b>M2</b></p>  <p><b>12x</b></p>	<p><b>P1</b> <b>2x</b> <b>P2</b></p>  	<p><b>Z1</b></p>  <p><b>48x</b></p>	<p><b>T1</b></p>  <p><b>6x</b></p>

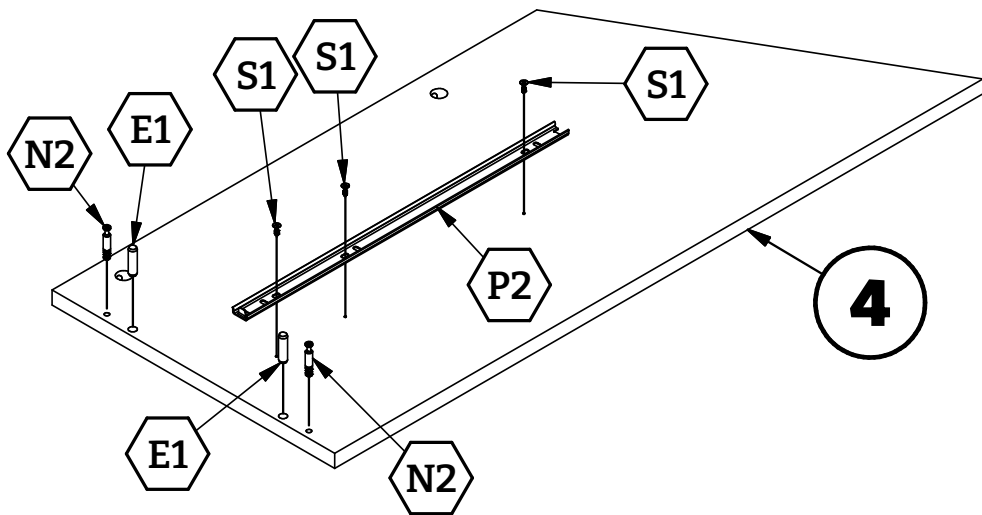
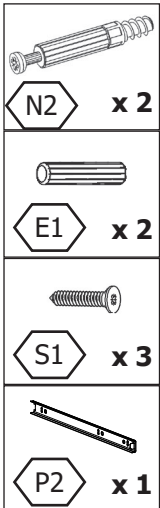


1

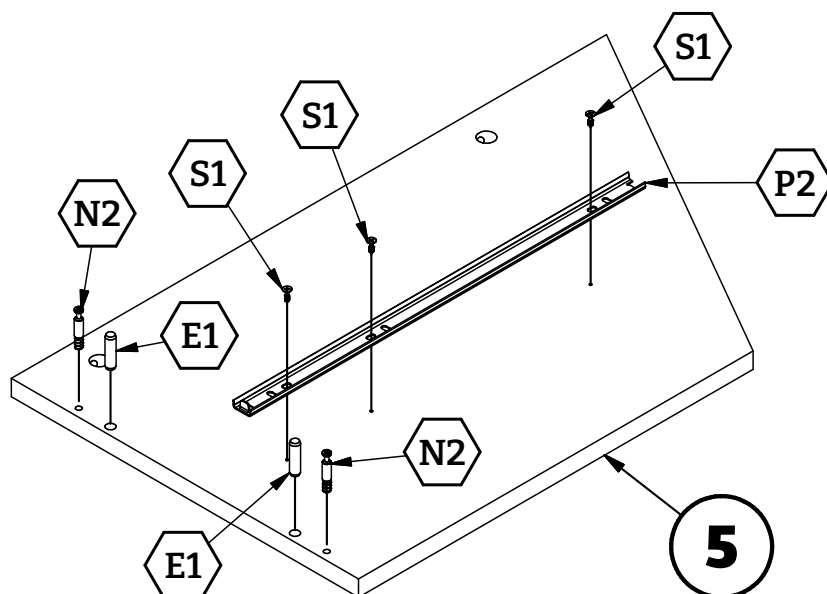
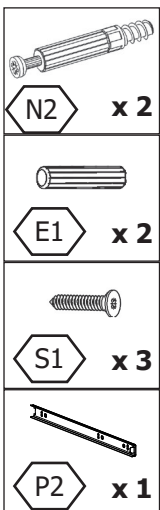


x2

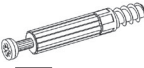

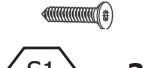

2

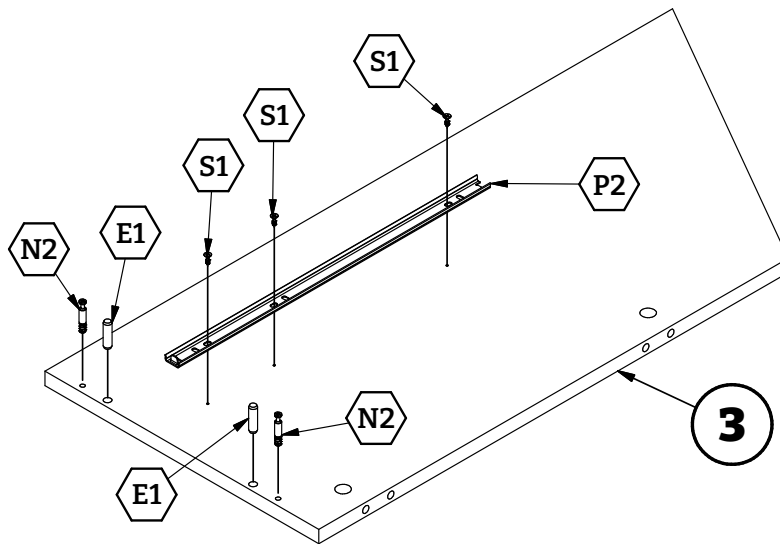


3

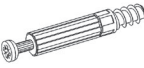

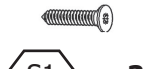



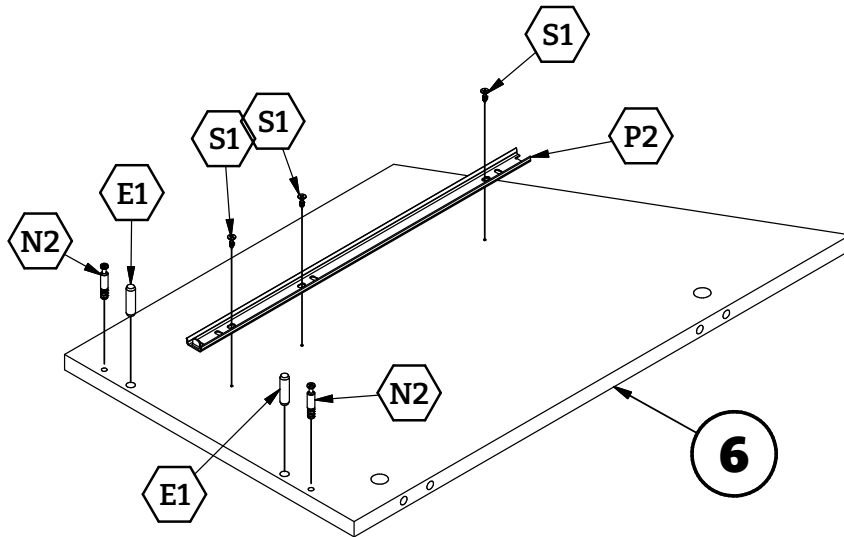
4

-  N2 x 2
-  E1 x 2
-  S1 x 3
-  P2 x 1




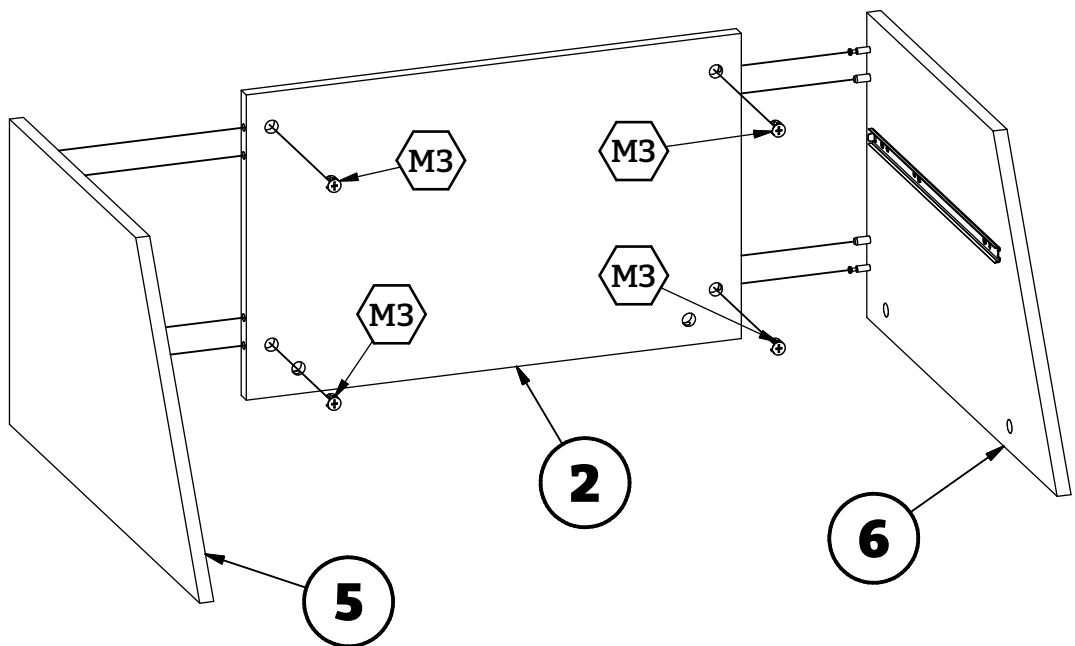
5

-  N2 x 2
-  E1 x 2
-  S1 x 3
-  P2 x 1

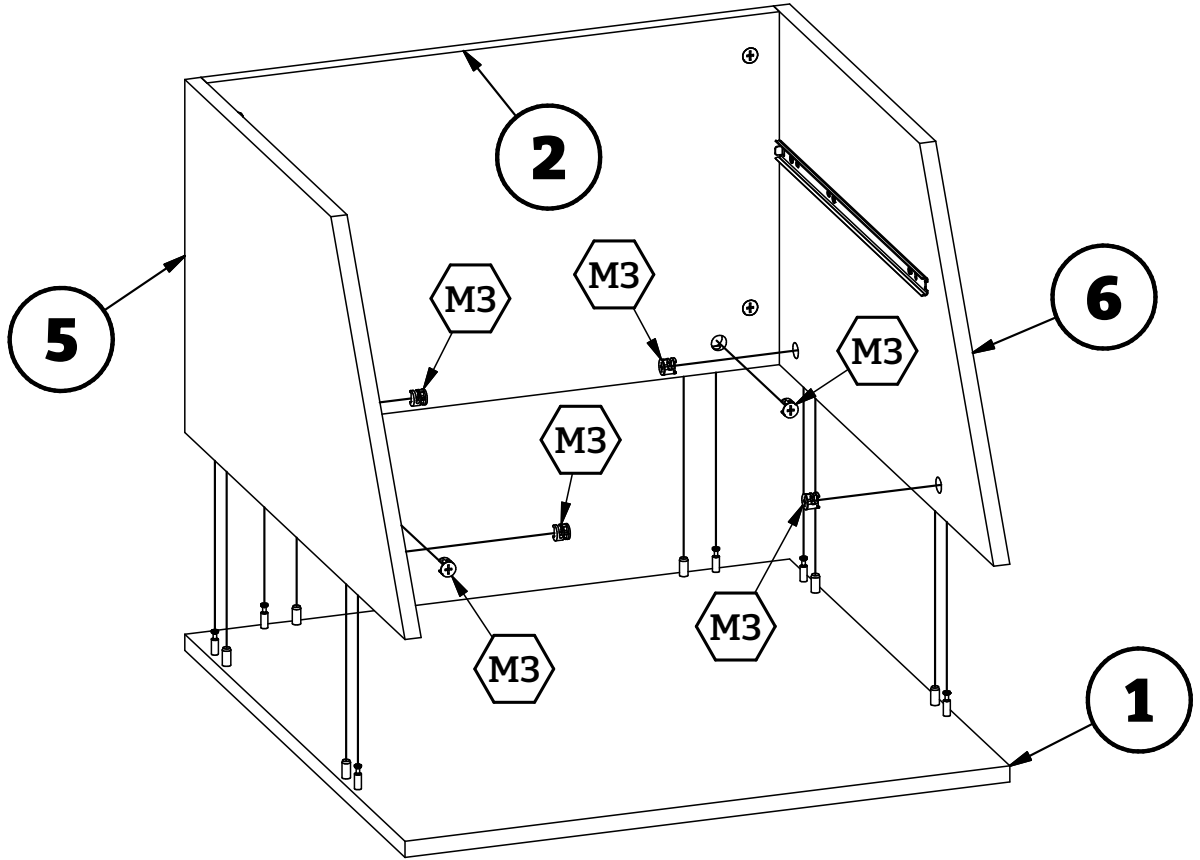
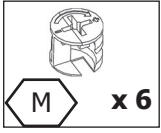


6

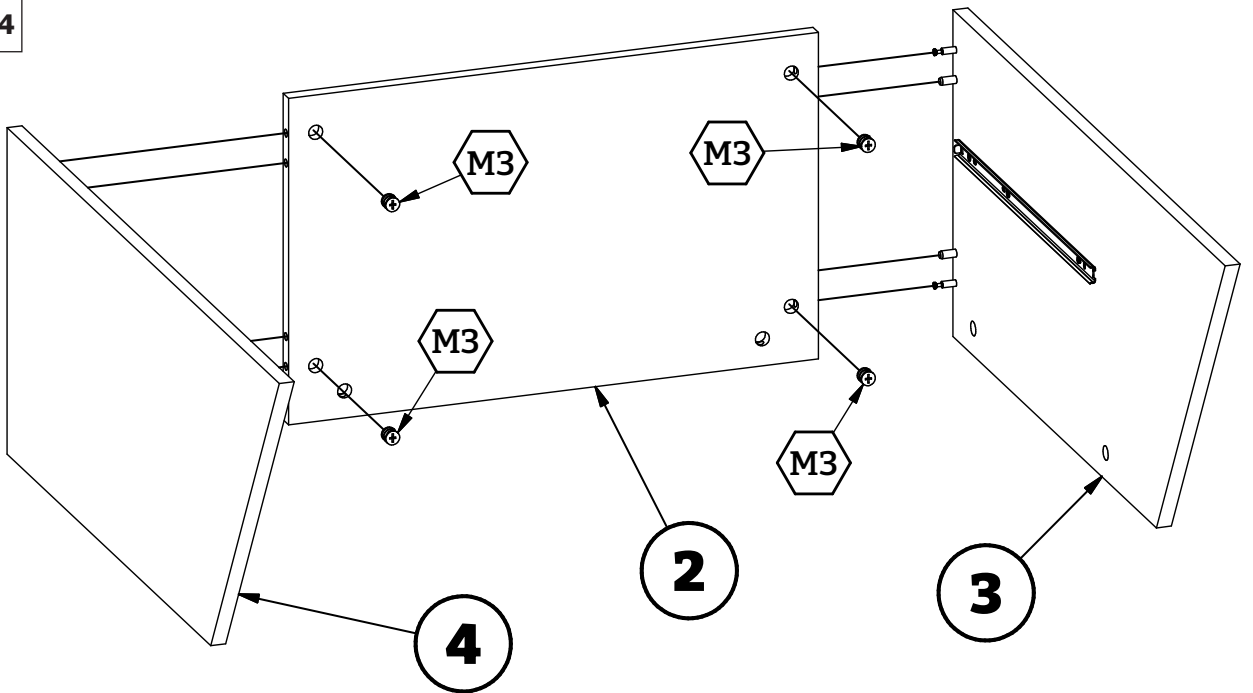
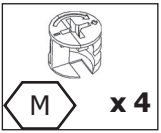
-  M x 4

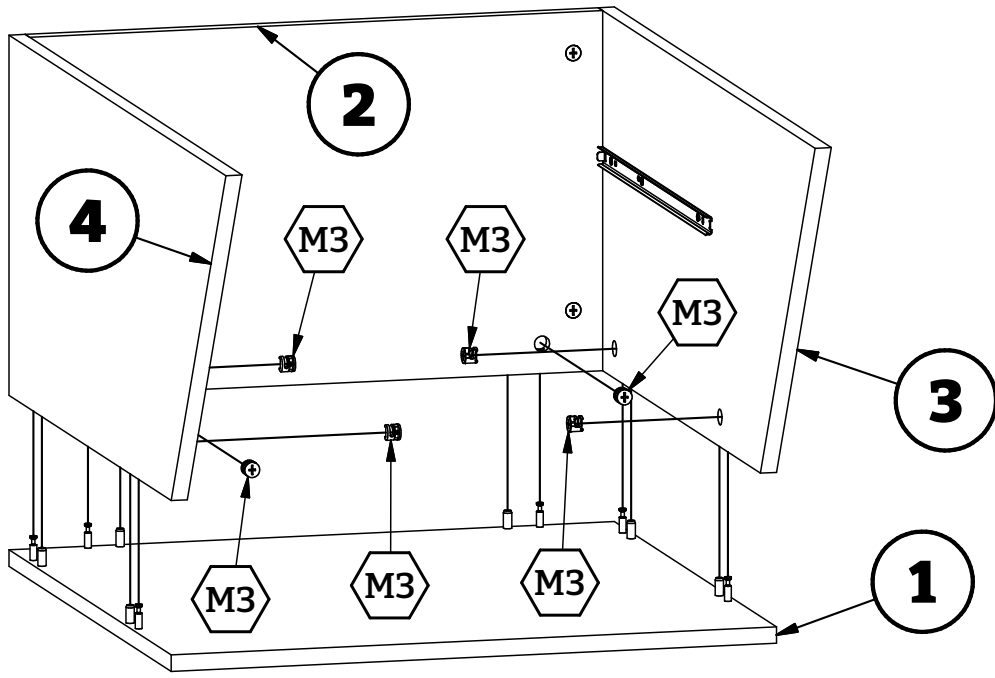


7

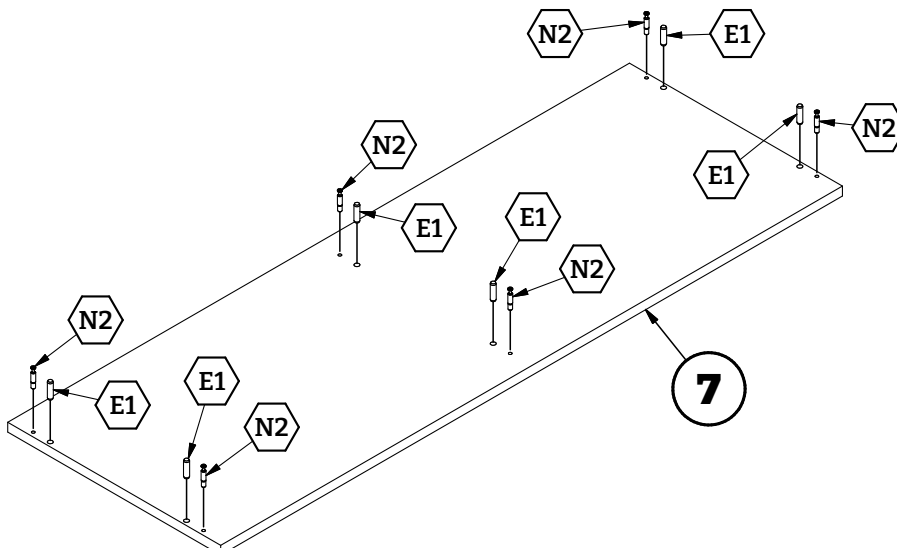
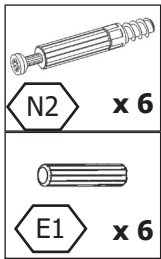


8



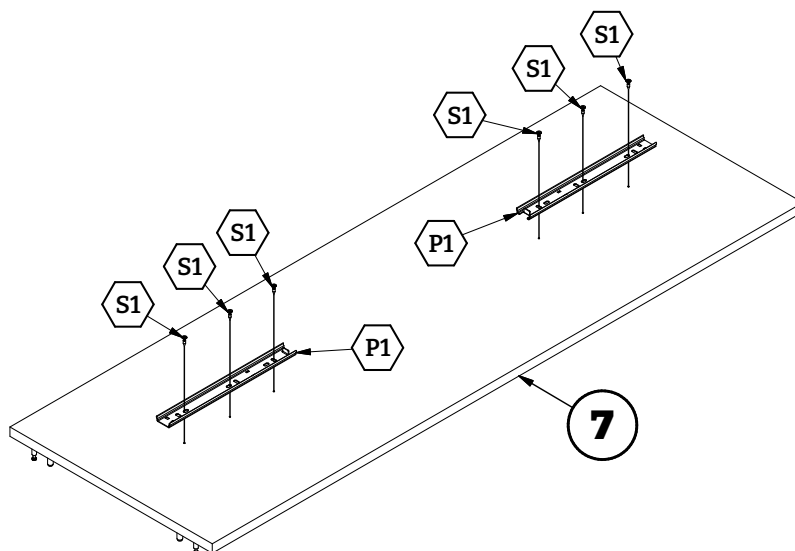
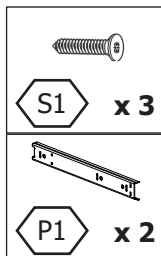


10



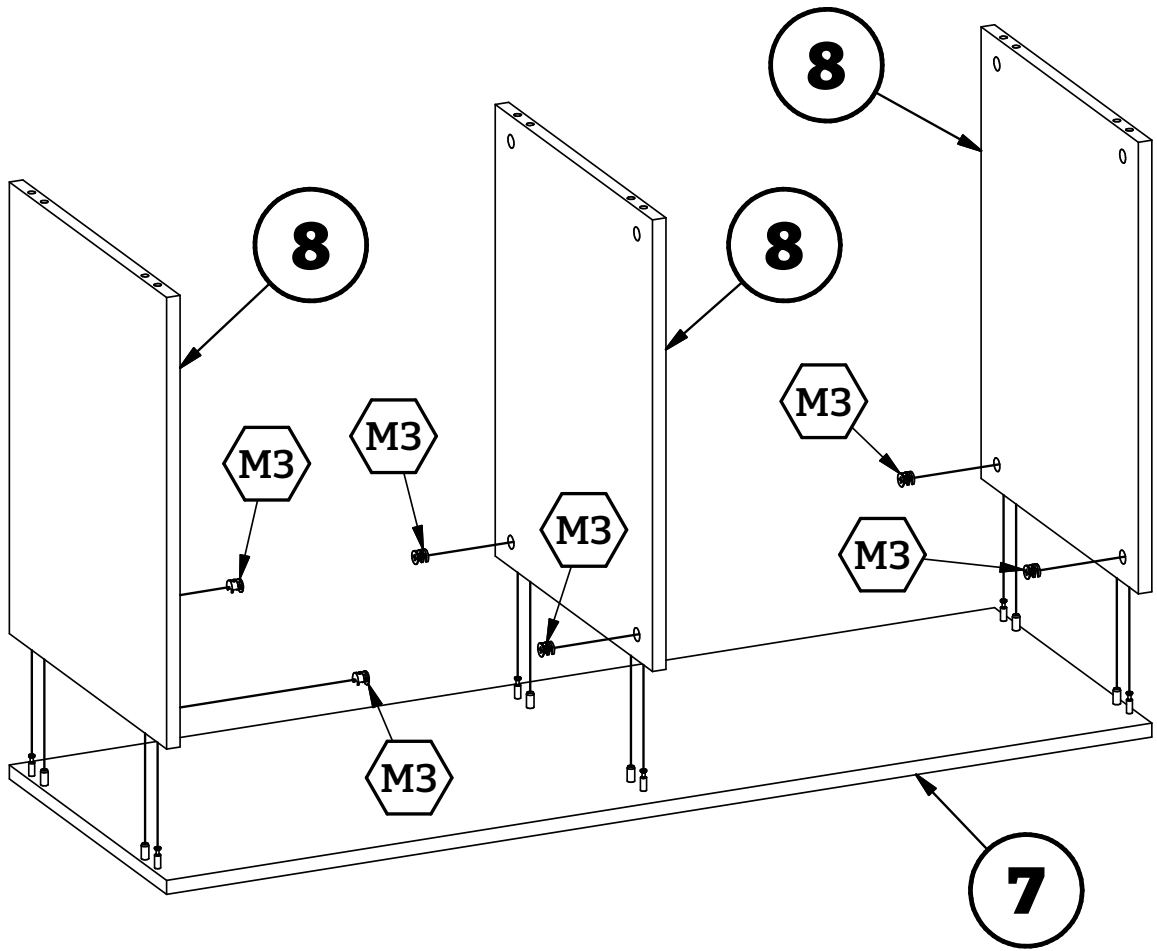
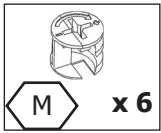
11

**x2**

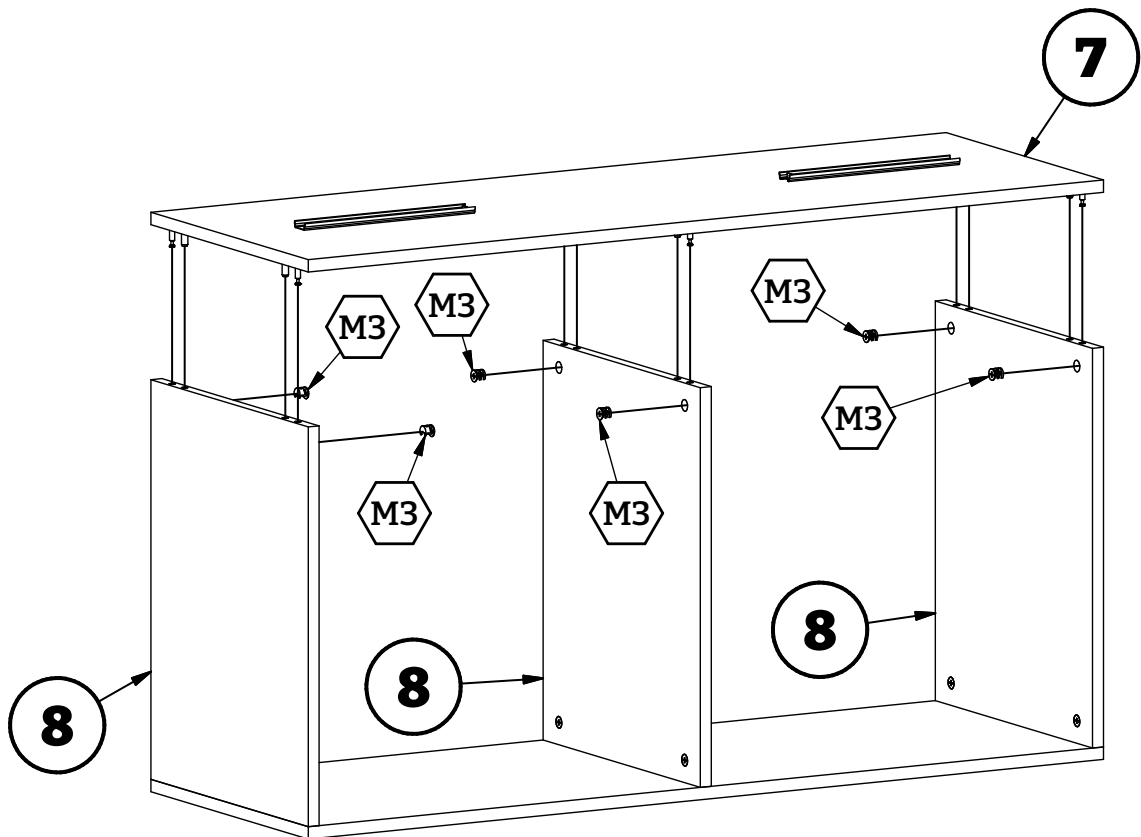
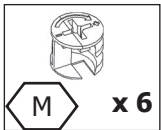


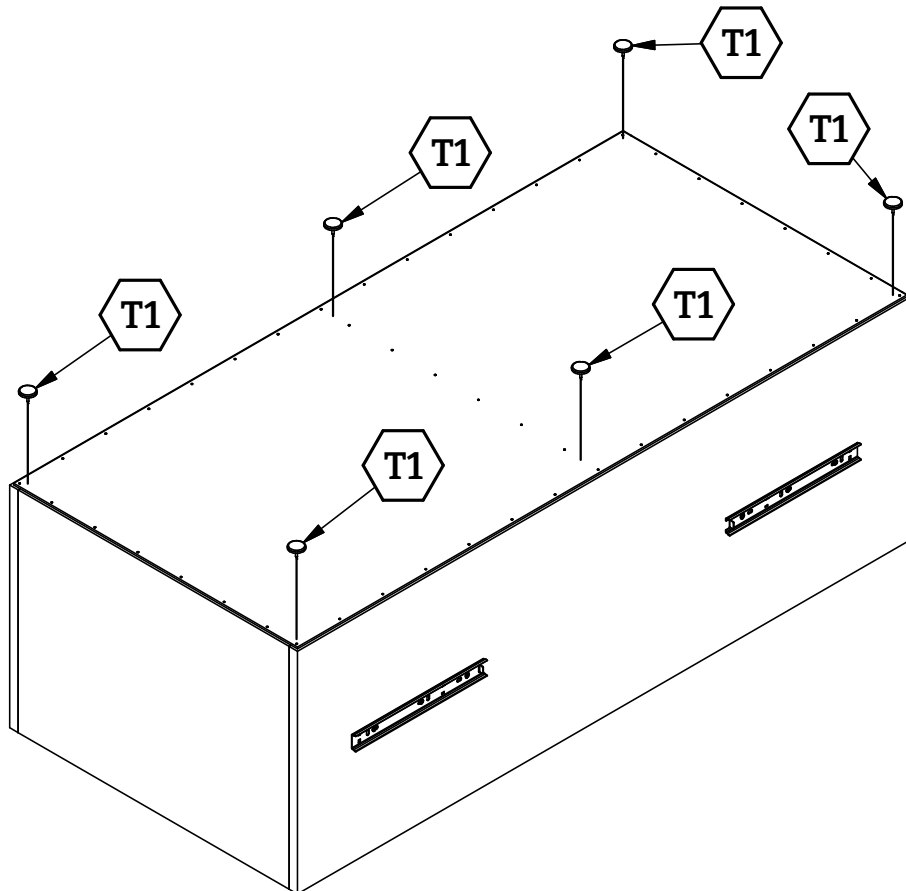
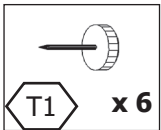
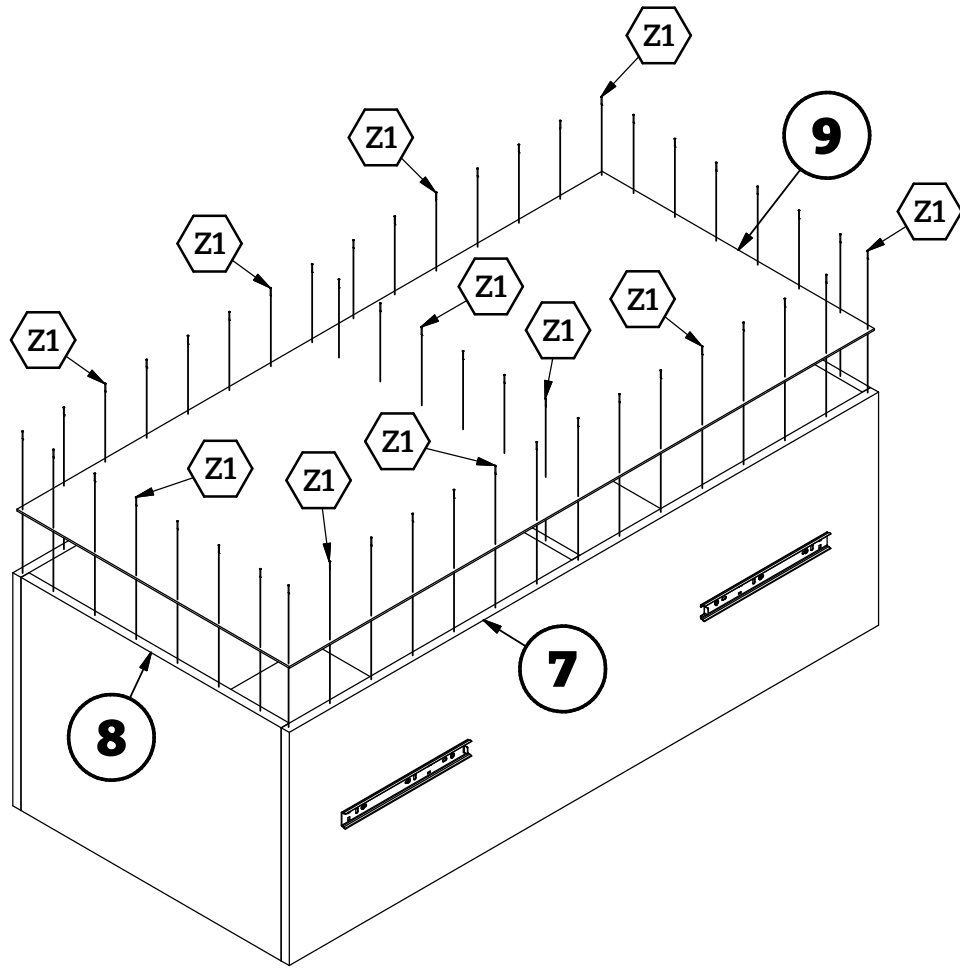
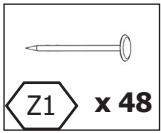
**x2**

12



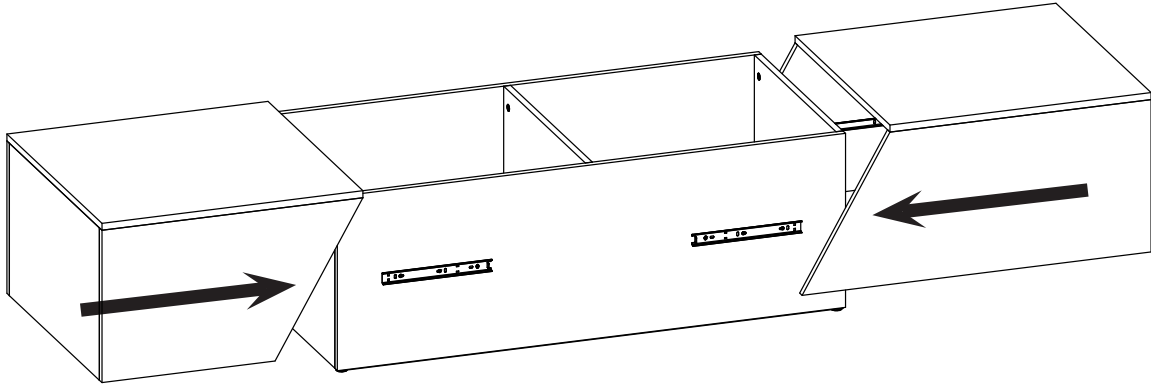
13





16

---



17

---

